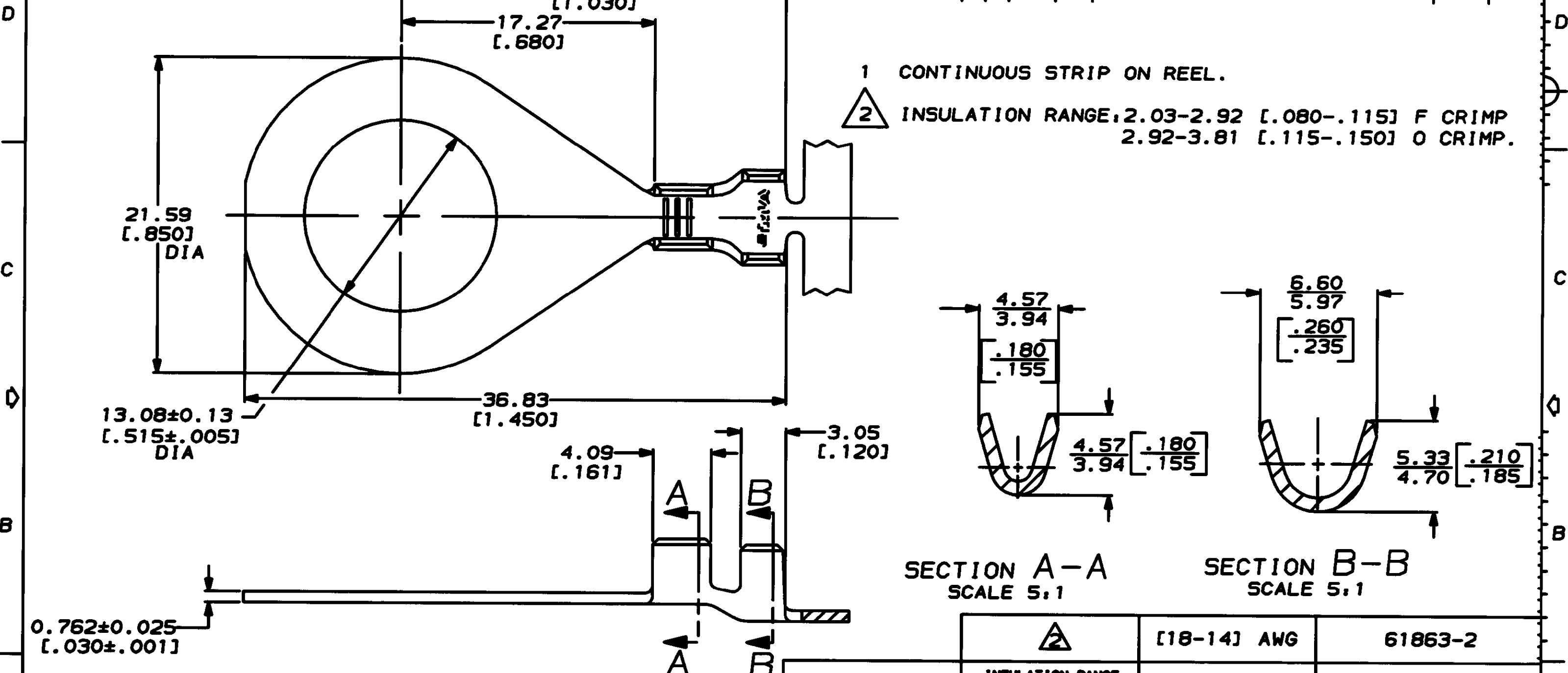


THIS DRAWING IS UNPUBLISHED. RELEASED FOR PUBLICATION, 19...
 © COPYRIGHT 19... BY AMP INCORPORATED. ALL INTERNATIONAL RIGHTS RESERVED.

LOC	DIST	P	F	ZONE	LTR	REVISIONS		
AF	50				H	DESCRIPTION	DATE	APPD
						REDRAWN PER 0054-94	2/15/94	PF/GY



- 1 CONTINUOUS STRIP ON REEL.
- 2 INSULATION RANGE: 2.03-2.92 [0.080-.115] F CRIMP
2.92-3.81 [0.115-.150] O CRIMP.

SECTION A-A
SCALE 5:1

SECTION B-B
SCALE 5:1

0.762 ± 0.025
[0.030 ± 0.001]

DO NOT SCALE PRINT. UNLESS SPECIFIED DIMENSIONS IN mm (INCHES) TOLERANCES ON: 2 PLC DEC ± 0.25 (0.010) 3 PLC DEC ± - ANGLES ± - MATERIAL 082 BRASS FINISH 0.00254 [0.00100] MIN TIN PL PER MIL-T-10727	DR 3/15/94 PULLIP H PERREY	[18-14] AWG	61863-2
	GJK 3/15/94 APPD 3/15/94 APPD 3/15/94 PRODUCT SPEC -	AMP Incorporated Harrisburg, PA 17105-3608	RING
APPLICATION SPEC -	WEIGHT -	SIZE B CASE CODE 00779 SCALE 4:1	DRAWING NO C-61863 SHEET 1 OF 1

THIS DRAWING IS A CONTROLLED DOCUMENT FOR AMP INCORPORATED. IT IS SUBJECT TO CHANGE AND THE CONTROLLING ENGINEERING ORGANIZATION SHOULD BE CONTACTED FOR THE LATEST REVISION.